

Data Sheet

HORN-C2039 - Explosion Proof Horn Speaker 30W 100V Line

Description

C 2039 is an anti-static nylon material, anti-ultraviolet and durable explosion-proof speaker with ATEX certification for dust and gas atmosphere. Suitable for petrochemical industry, tunnel, oil rigs, ship, offshore platforms, mines, grain silos and other places.

ATEX Certification:

Gas explosion - proof area ZONE 1 & ZONE 2.

Dust explosion - proof area ZONE 1 & ZONE 2.

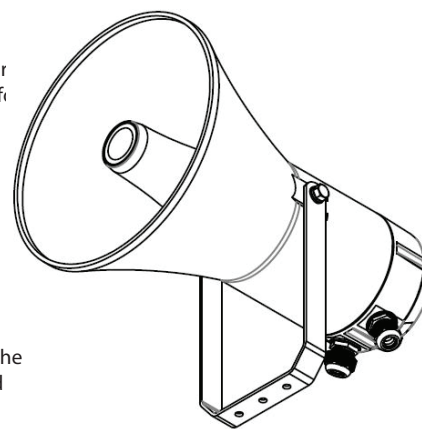
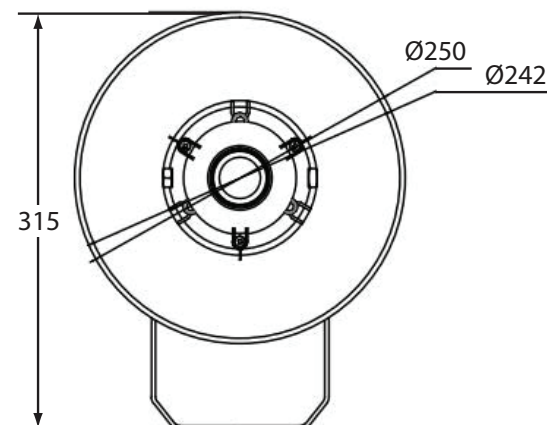
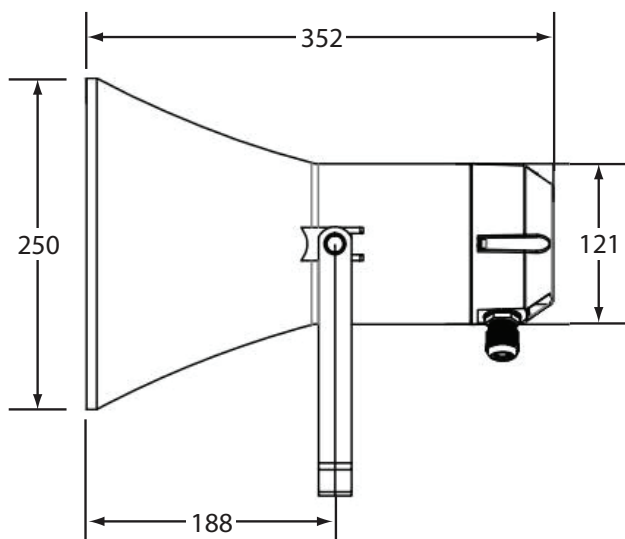
Connection

Loosen the fixed screw of the housing using a 4mm allen key. Open the flameproof cavity, and connect the speaker cabling to the terminal. After the connection is terminated, the explosion-proof upper cover and explosion-proof body are installed.

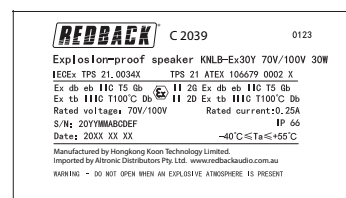
Specifications

Material / Color:	Flame retardant antistatic nylon / black
Rated Power Taps:	5W/10W/15W/30W
Power Tap Wiring:	5W Yellow, 10W Orange, 15W Red, 30W Brown, Black Common.
Built-in Audio Transformer:	70V/100V, 5W/10W/15W/30W
Effective frequency range:	300 Hz - 8000 Hz.
Ingress protection rating:	IP66
Ambient temperature:	-40 to +55°.
Relative humidity:	10% - 95%
Input AC resistance:	8±15%Ω
Sound coil DC resistance:	6.4 ±7%Ω
Explosion-proof standard:	EN IEC 60079-0:2018, EN 60079-1:2014, EN IEC 60079-7:2015/A1:2018, EN 60079-31:2014, EN 60079-14-2014
Housing Fasteners	M3 Hex Screws
Dimensions	250Ø x 325Dmm
Weight	4kg

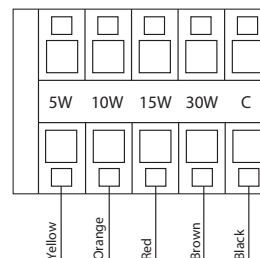
Dimensions



Markings



Termination



Data Sheet

HORN-C2039 - Explosion Proof Horn Speaker 30W 100V Line

Warnings & Safety Notices

- Before using, please confirm whether the temperature and humidity of the environment meet the temperature and humidity specifications of the product.
- In the use of this product, please note that the cable must be intact, otherwise the cable may be damaged and cause the occurrence of safety accidents.
- Non-technical service personnel should not disassemble or repair the product themselves. Otherwise, improper repair or malfunction may cause electric shock, fire, etc, which may lead to injury accidents and invalidate your product warranty.
- Do not put metal objects such as pins, wires, fingers or other foreign objects into the vents and gaps. It may cause current to pass through metal or foreign matter, which may cause electric shock and cause injury. If the foreign objects or similar objects fall into the product, the product should no longer be used.
- Do not discard or store the packaging in a place where a young child can access. If the child uses it to cover the head, nasal and mouth blockage may occur, resulting in suffocation.
- Please follow all local industrial laws and regulations in regards to speaker installation and system compliance for the environment in which the speaker is installed.
- The speaker is suitable for use in Group II, Category 2G, 2D or Non-hazardous areas.
- Do not disconnect the speaker unless it is in a non-dangerous area and the power has been cut off.
- During installation or removal, the joint of the upper protective cover and the bottom shell shall not be damaged or scratched.
- Do not damage the flameproof bonding surface during installation and keep it clean. The flameproof surface fastening screws shall be tightened uniformly. Note that the flameproof bonding surface does not contain foreign matter.
- Repair of the flamepaths is not allowed. It is not accepted that repair in compliance with the values in EN 60079-1.
- The installation must be installed according to the requirements of EN 60079-14: latest version (or its national equivalent standard).

Product Maintenance

- Check the cable regularly.
- Keep the product dry and clean.
- Please operate the loudspeaker according to the user manual.